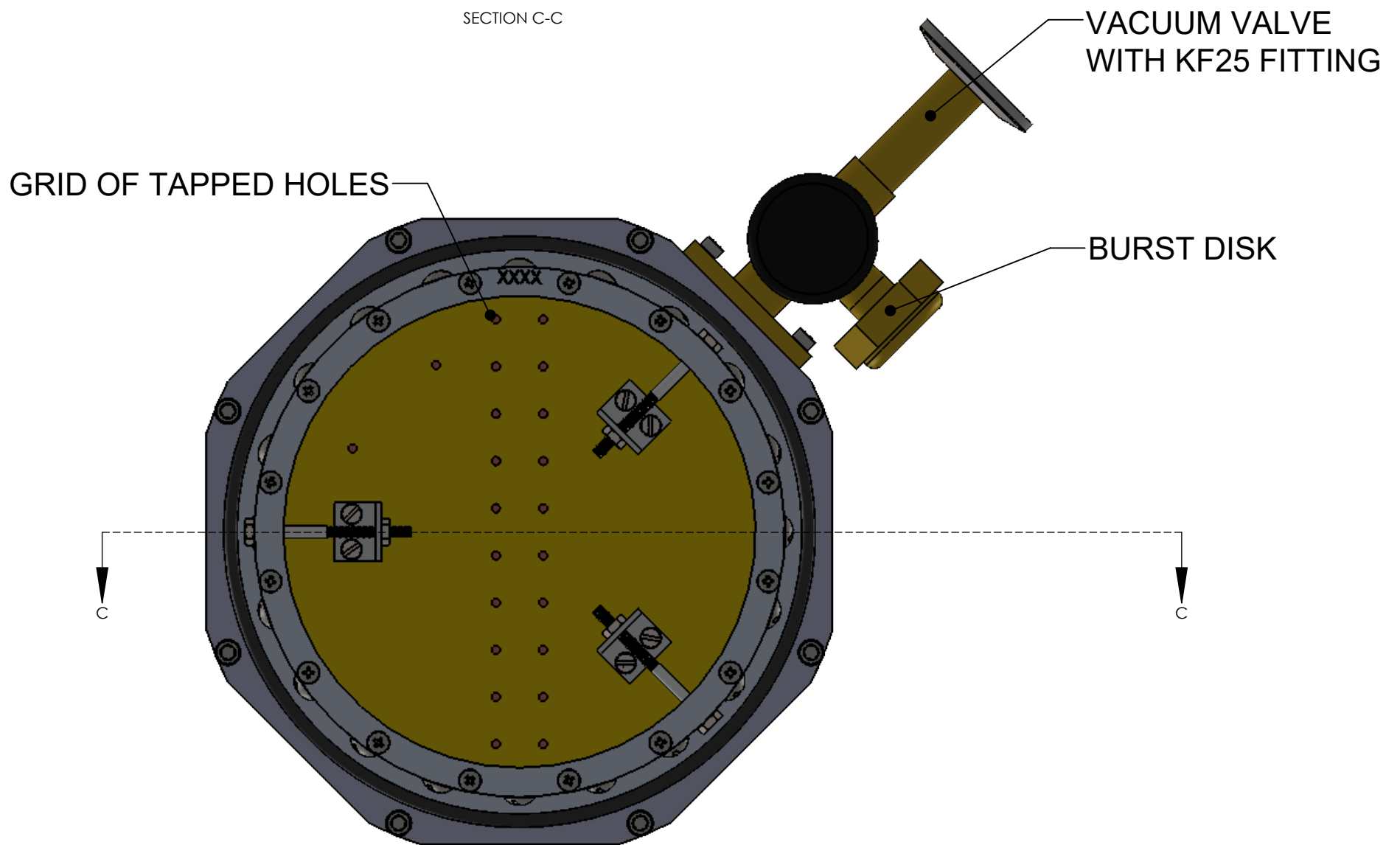
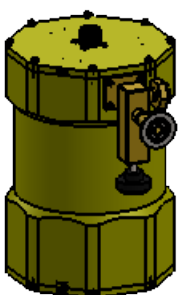


SECTION C-C



*SHOWN WITHOUT SHIELD LID AND BOTTOM CASE COVER



PROPRIETARY AND CONFIDENTIAL

THE INFORMATION CONTAINED IN THIS DRAWING IS THE SOLE PROPERTY OF IRLABS, INC. ANY REPRODUCTION IN PART OR AS A WHOLE WITHOUT THE WRITTEN PERMISSION OF IRLABS, INC. IS PROHIBITED.